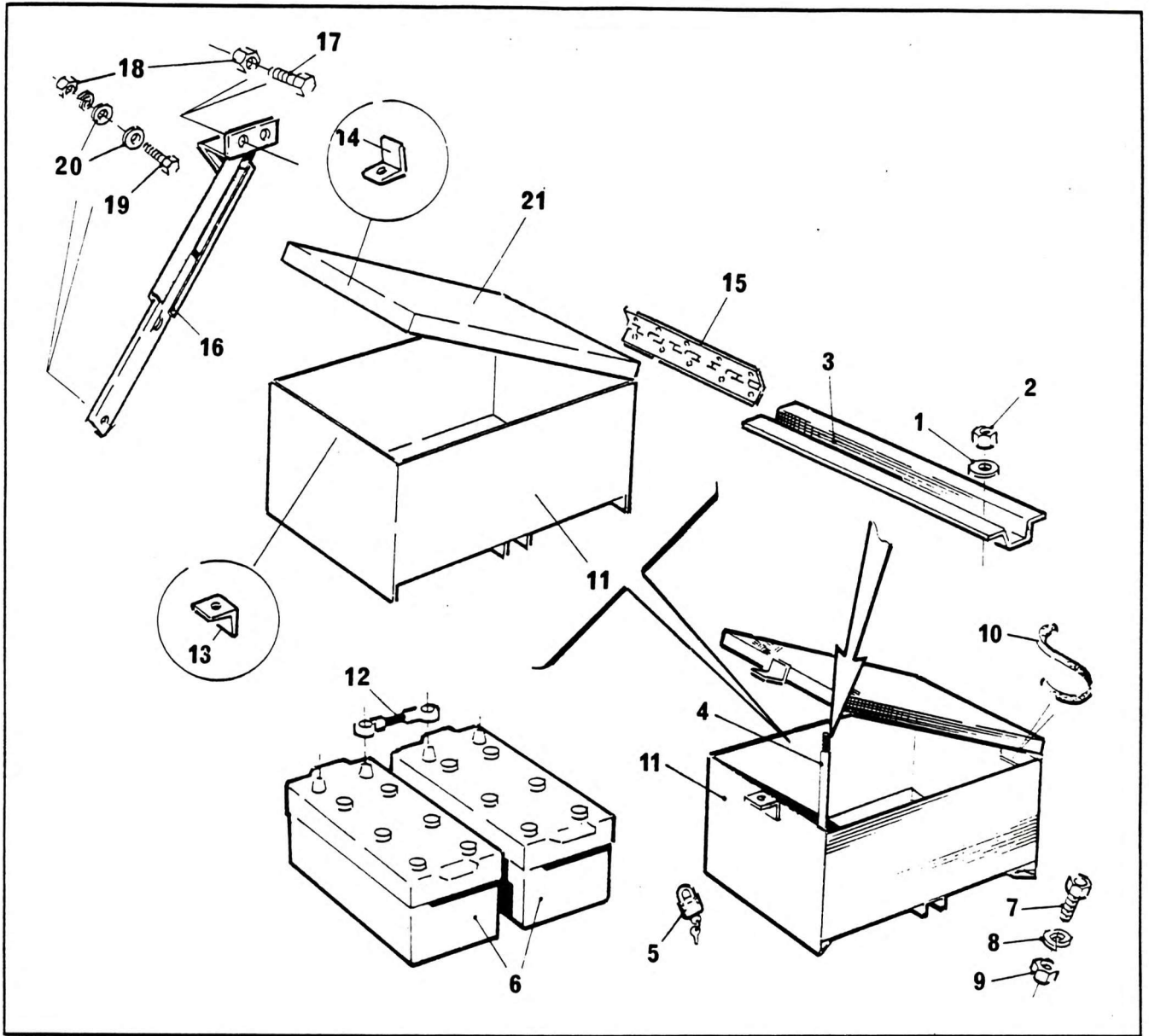


BATTERY ASSEMBLY CHASSIS



NO.	PART NO.	QTY.	DESCRIPTION	NO.	PART NO.	QTY.	DESCRIPTION
1	7-951-210014	2	Flat Washer 12mm	14	6-184-990260	1	Bracket
2	7-661-210003	2	Nut M12	15	7-519-000188	1	Piano Hinge 84" Long Std
3	6-867-241600	2	Stud M12 x 230 Lg	16	170119	1	Stay Support
4	6-064-990018	1	Battery Clamp	17	7-126-151053	2	Screw Hex Head M6 x 16 Long
5	7-585-990010	1	Padlock and Keys	18	7-661-150003	3	Nut M6
6	8787934	2	Battery	19	7-126-151250	1	Bolt Hex Head M6 x 25 Long
7	7-126-191153	4	Screw Hex Head M10 x 20 Long	20	7-951-150014	3	Washer Flat M6
8	7-951-190014	4	Washer Spring M10	21	6-064-990060	1	Lid Battery Box
9	7-661-190003	4	Nut Hex M10	Items 12 to 21 comprise Battery Box Sub Assy Part No. 6-064-990079			
10	8-637-020305	1	Pinch Top Sin/Lip Moulding				
11	8736438	1	Link Battery Positive to Negative				
12	6-064-990059	1	Battery Box				
13	6-184-990259	1	Bracket				6-064-990058